



Igea Surgical

by

TT Med

www.ttmed.it

Multifunctional chair for medical facilities specifically recommended for surgical treatments of ophthalmology, ENT, oral surgery, plastic surgery, day surgery. Developed in collaboration with specialists in the sector, it guarantees maximum ease of use by operators without sacrificing patient comfort and safety.



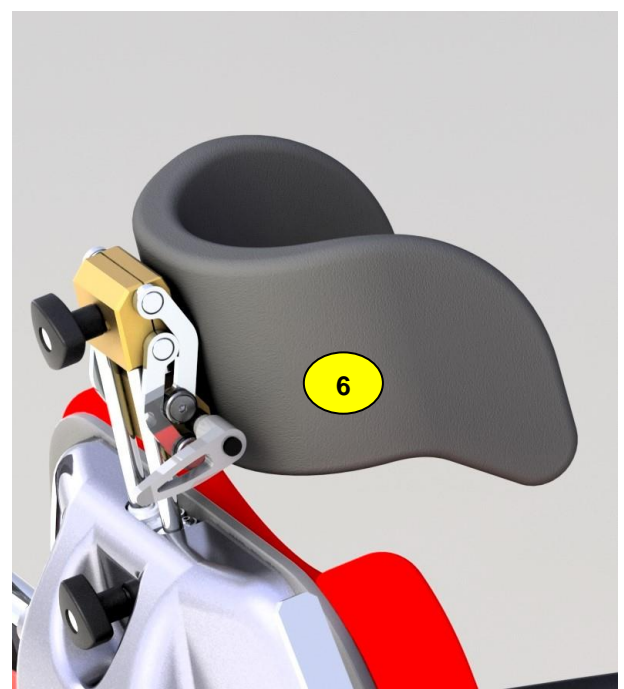
Main features:

- 1) All the main functions are electrically adjustable and can be individually excluded as needed.
- 2) Possibility of integrating a pedal control with wireless technology to manage the main movements, foldable when not in use.
- 3) Braking system with fifth directional wheel electrically controlled with light indicator of the control inserted. *
- 4) High autonomy battery, interchangeable and rechargeable via table station.
- 5) Seamless Sky fabric upholstery, fireproof class 1IM with antibacterial and antifungal characteristics, completely removable for easy sanitization.
- 6) Easily adjustable headrest and armrests, removable and configurable depending on the mode of use
- 7) Retractable footrest to increase patient comfort during transfers
- 8) Universal stainless steel DIN bars on both sides of the backrest and seat to accommodate support equipment

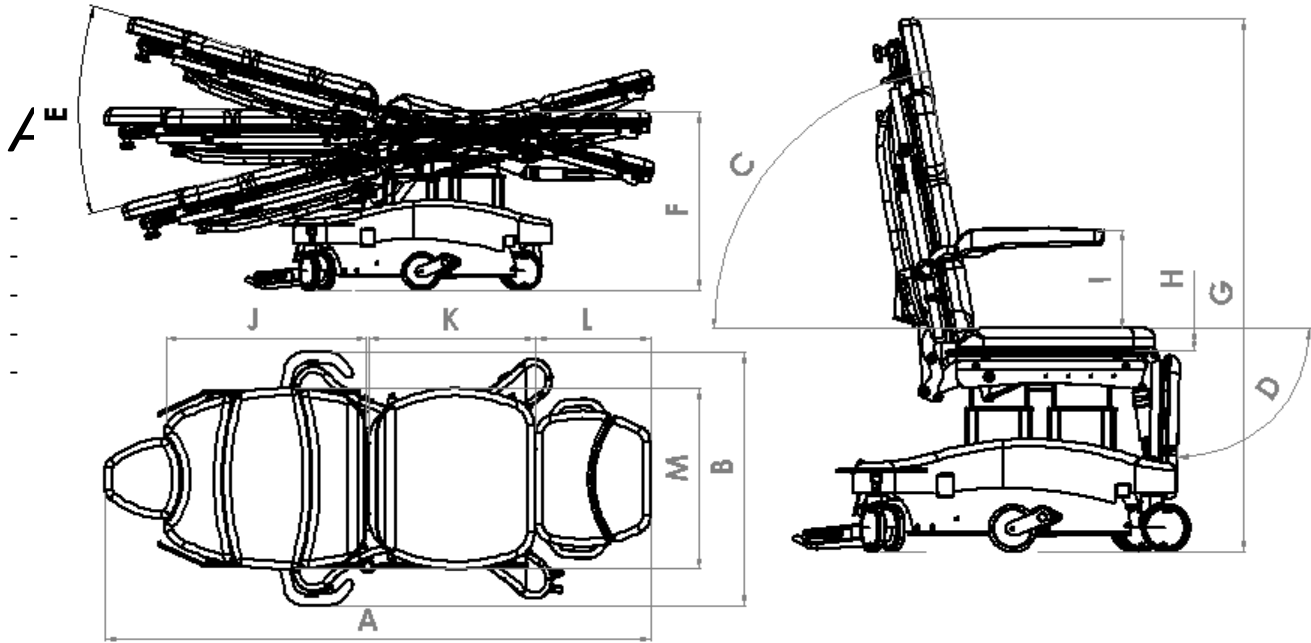
(*) the brake controls include an additional emergency manual release



equipped with equipotential node



- Powder coated structural steel frame with antibacterial features
- Twin anti-static **wheels diameter 125 mm** with centralized electric brake with the possibility of mechanical release in emergency
- **6 stored positions:** 3 positions preset by the manufacturer (patient loading position, CPR, trendelenburg) + 3 positions that can be stored independently by the doctor.
All automatic positions are managed by the control panel
- To facilitate patient transfers, the chair is **equipped with a directional support** (5° wheel) to ensure stable and ergonomic driving. The directional support function can be activated and deactivated from the control panel



Technical data

Ref.	DESCRIPTION	U.M	VALUE
A	Maximum length in bed position	mm	1800 - 2020
B	Maximum overall width	mm	840
C	Backrest inclination	°	0 / 80
D	Leg rest inclination	°	0 / -95
E	Trendelenburg / Reverse Trendelenburg inclination	°	±15
F	Seat height	mm	520 ÷ 920
G	Maximum overall dimensions in height	mm	1300 ÷ 1800
H	Upholstery padding thickness	mm	60
I	Arm support height	mm	0 ÷ 450
J	Backrest section length	mm	660
K	Seat section length	mm	560
L	Leg rest section length	mm	380
M	Maximum upholstery padding width	mm	600
	Maximum load capacity	Kg	250
	Chair weight	Kg	140

Electrical data

	Power supply voltage	VAC	100-240
	Frequency	Hz	50-60
	Operating voltage	VCC	24
	Maximum power consumption	VA	145
	Sound power level emitted under load	dB	<60
	Electrical protection class	-	II
	Degree of protection against dust and liquids	IP	54
	Battery Li-Ion	A/h	10
	Operation / pause	min/ora	10% or 2 minutes of operation followed by 18 minutes of pause